

## Closed Coupled Water Closet

### PRODUCT FEATURES

- Closed coupled low capacity dual flushing system water closet
- Dual Flush system to allow option for appropriate water usage
- Chrome plated push type button
- Universal height
- Fully glazed trap-way
- In-tank conceal ball valve design

### FLUSHING TYPE

- WhirlWash Flushing

### PRODUCT SPECIFICATIONS

- Dimension : 650 (L) x 370 (W) x 815 (H) mm
- Rough-in : P-Trap 185mm  
: S-Trap 150-250mm
- Material : Vitreous China
- Water Supply Connection : G 1/2"
- Minimum Water Pressure : 55 kPa
- Seat and Cover : FT-SC0121PS (PP)

### DISCHARGE VOLUME

- Full Flush : 4.5 – 6 Litre per flush
- Reduced Flush : 3.0 Litre per flush

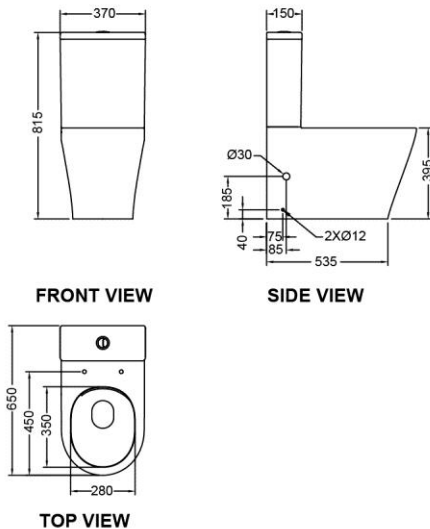


### OPTIONAL FEATURE:



Anti-Bacterial  
Technology

### TECHNICAL DRAWING



### INSTALLATION DETAILS

